

MicroRAE™ QuickStart Guide



**environmental
SCIENCE**

AND TECHNOLOGY

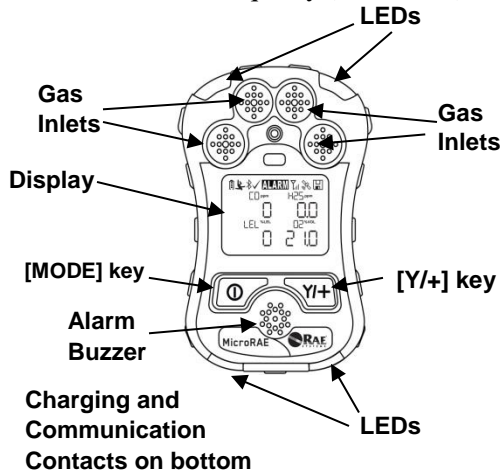
www.environmentst.com

info@environmentst.com

+44(0)1904 373 018

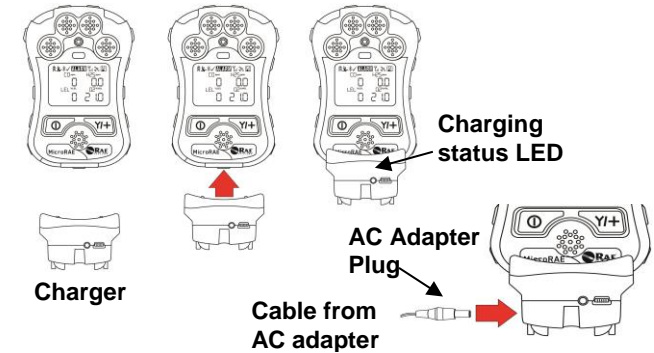
User Interface

Functions are controlled via the [MODE] and [Y/+]
keys. The display shows information such as
monitored threats, real-time readings and measure-
ment units, alarm type (when in alarm, including cal.
overdue), battery status, datalog (if on), GPS status,
and radio and connection quality (if available).



Charging The MicroRAE

Always fully charge the battery before use. Contacts on
the bottom of the MicroRAE meet the Travel Charger's
or Charging Cradle's contact pins, transferring power.
Make sure the charger and MicroRAE are firmly
attached. Then connect the AC Adapter's plug to the
charger, and plug its transformer into an AC outlet.
While charging, the LED on the cradle glows red. When
the battery is fully charged, the LED glows green.



WARNINGS

Read Before Operating

The MicroRAE User's Guide must be carefully read by
all individuals who have or will have the responsibility
of using, maintaining, or servicing this product. The
product will perform as designed only if it is used,
maintained, and serviced in accordance with the manu-
facturer's instructions.

CAUTION!

Never operate the monitor when the rear cover is re-
moved. Remove rear cover, sensors, and/or battery or
charge the battery only in an area known to be non-
hazardous. Never use the instrument with the calibration
adapter installed, as this can cause distorted readings, a
potential safety threat.

Turning The MicroRAE On

With the instrument turned off, press and hold the
[MODE] key until the audible alarm stops, and then
release. During startup, it tests the battery, buzzer,
vibration alarm, LEDs, and internal functions. Then the
main reading screen is shown.

Note: If the battery is completely empty, then the
display briefly shows the message "Low Battery," and
the MicroRAE shuts off. You should charge the battery
before turning it on again.

Note: It takes 45 seconds for some sensors to show
a reading, so if any have not warmed up by the
time the main screen is shown, you will see "- -"
instead of a numerical value.

Note: If Fast Startup is enabled on the instrument,
fewer screens are shown during startup, compared to
Normal Startup sequence.

Turning The MicroRAE Off

Press and hold [MODE]. A 5-second countdown to shut-
off begins. You must continue pressing on the key for
the entire shutoff process. If you remove your finger from
the key during the countdown, the shutoff operation is
canceled and the MicroRAE continues normal operation.

When the countdown ends and the screen displays "Unit
Off," release your finger from the [MODE] key. The
MicroRAE is now off.

Testing The Alarms

Under normal-operation mode and non-alarm condi-
tions, the buzzer, vibration alarm, and LED can be
tested anytime by pressing [Y/+] once. If any alarm
does not respond, check the Alarm Settings in
Programming Mode or in ProRAE Studio II to make
sure all alarms are enabled. If any alarms are enabled
but are not functional, do not use the instrument.

Bump Testing and Calibration Setup

Important! Test the alarms prior to performing a bump or span calibration test.

Manually calibrate the MicroRAE using a fixed-flow regulator (refer to User's Guide for more details) and the supplied special calibration adapter that covers the gas inlet:

1. Connect the gas cylinder, flow regulator, tubing, and calibration adapter to the MicroRAE.
2. With the MicroRAE in Normal Mode, enter Programming Mode by pressing and holding both [MODE] and [Y/+] until the password screen appears.
3. Input the 4-digit password. (The default password is "0000".) Then follow the menus to select single- or multi-sensor bump test, zero, or span calibration.

Important! After a bump test or calibration, remove the calibration adapter to ensure correct readings.

Zero & Fresh Air Calibration

Before other calibrations are performed, the MicroRAE should be fresh-air calibrated in clean air with 20.9% oxygen or with a cylinder of clean zero air. The oxygen sensor should be calibrated with nitrogen (N₂). In Programming Mode, select "Fresh Air." Then:

Press [Y/+] to start a Fresh Air calibration for the listed sensors. All are fresh-air calibrated at once.

To individually zero calibrate sensors:

1. Select "SINGLE ZERO" and select a sensor.
2. Press [Y/+] to select a sensor to zero calibrate.
3. Start the flow of the zero gas, if used, and press [Y/+] .
4. The screen says, "CAL" and counts down.
5. When done, it says, "PASS" (the reading should be 0 or very close to it for combustible and toxic gas sensors, and 0% Vol. for an oxygen sensor).
6. Shut off the flow of zero air (if used) and remove the calibration adapter.

Span Calibration

Span Calibration determines the second point of the sensor calibration curve for the sensor.

Important! Make sure all sensors have warmed up before performing a span calibration.

With the MicroRAE in Programming Mode:

1. Enter the Single Span or Multi Span menu. The calibration gas value for each sensor is shown.
2. In Single Span, select the sensor to calibrate. In Multi Span, you do not need to select a sensor.
3. Connect calibration gas to the instrument and start the flow.
4. Press [Y/+] to start calibration.
5. After the countdown, the result is shown.
6. Exit span calibration.

Bump (Functional) Testing

Bump test to confirm that the sensors and alarms are functional.

Important! Make sure all sensors have warmed up before performing the bump test.

With the MicroRAE in Programming Mode:

1. Enter the Bump Test or Multi Bump menu. The calibration gas value for each sensor is shown.
2. In Single Bump, select the sensor to bump test. In Multi Bump, you do not need to select a sensor.
3. Connect calibration gas to the instrument and start the flow.
4. Press [Y/+] to start the bump test.
5. After the countdown, the result is shown.
6. Exit bump testing.

Menu Navigation

Pressing [MODE] repeatedly allows you to step through the screens as shown here.

Note: The gray boxes indicate optional functions. These depend on the instrument's configuration and settings. Consult the MicroRAE User's Guide for more detailed descriptions.

